

# HBF

series

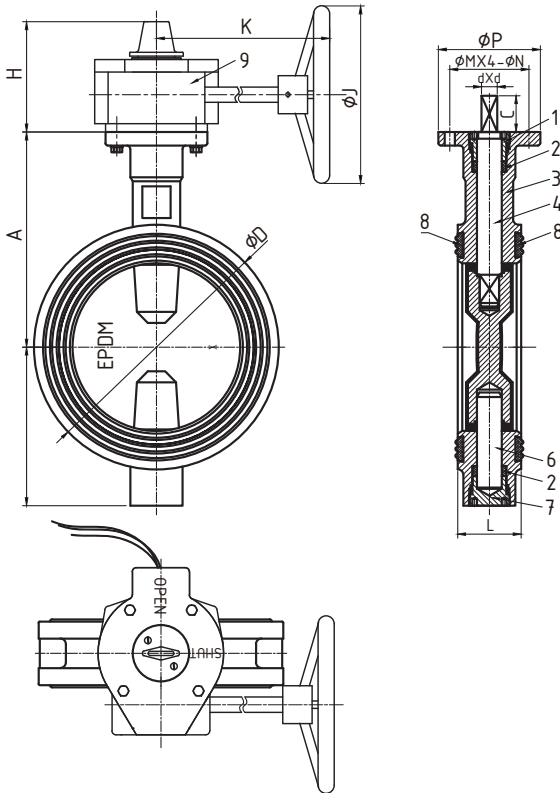


## UL Butterfly Valve – Wafer Ends

- Size: 2"(DN50) to 12"(DN300)
- Working Pressure: 300 PSI
- Test Pressure: 600 PSI
- Working Temp.: 0°C to 80°C (32°F to 176°F)
- Valve Standard: UL1091&ULC/ORD-C1091
- Top Flange Standard: ISO 5211
- Connection Standard: ASME B16.1
- Test Standard: UL1091&ULC/ORD-C1091



**HBF-300W**



ITEM	PARTS	MATERIAL
1	UPPER SHAFT SEALING NUT	WCB
2	SHAFT SEAL	EPDM
3	BODY	DI
4	UPPER SHAFT	SS416
5	DISC	DI+EPDM
6	LOWER SHAFT	SS416
7	LOWER SHAFT SEALING NUT	WCB
8	END FACE SEAL	EPDM
9	SIGNAL GEARBOX	DI

SIZES		DIMENSIONS (MM)											
Inch	mm	A	B	C	D	H	K	J	P	M	N	d	L
2.5"	DN 65	125	95	32	112	111	234	152	90	70	9	10	44.2
3"	DN 80	140	100	32	120	111	234	152	90	70	9	11	45.3
4"	DN 100	160	100	32	165	111	234	152	90	70	9	14	52
5"	DN 125	170	125	32	182	111	234	152	90	70	9	14	54.4
6"	DN 150	190	140	32	216	111	234	200	90	70	9	16	55.8
8"	DN 200	230	175	32	260	126	230	290	125	102	12	19	60.5
10"	DN 250	260	200	45	320	126	230	290	125	102	12	22	66.5
12"	DN 300	300	240	45	375	161	249	350	150	125	14	24	76.9